



RESIDENTIAL E190-TRG Energy Recovery Ventilator

PRODUCT
SPECIFICATIONS
& TECHNICAL
DATA



PRODUCT DESCRIPTION

Compact size, large performance – the E190-TRG energy recovery ventilator produces approximately **165 CFM** at 0.4 in w.g. (ESP) and recovers sensible and latent heat through its high-latent-transfer core. The E190-TRG has been thoughtfully engineered for simple installation in small businesses and spacious houses.

The E190-TRG has two exclusive features. EvacMAX™ provides on-demand boost for maximum ventilation. With FLEXControl, airflow circuits can be calibrated electronically, eliminating the need for resistance-inducing balancing dampers and improving overall efficiency.

KEY FEATURES

- Electronically and independently adjustable supply and exhaust blowers (FLEXControl)
- Gauge ports on the door for fast and reliable airflow readings
- Removable top-mounted collars
- Twist-in collars for easy flex-duct attachment
- Non-dust-loading backward-inclined impellers on totally enclosed motors
- Easy access to core and filters for cleaning
- Durable core with exceptional moisture transfer for more comfort
- Optional high-efficiency filters
- Multiple low-voltage controller options
- Recirculating defrost collar snaps into pre-punched area of cabinet for ducting flexibility

CASING

Material: Pre-painted 24-gauge galvanized steel
Duct Connections: Ø 6" (Ø 152 mm)
Insulation: 1" (25 mm) Fiberglass with FSK
Width: 29-5/16" (745 mm)
Height: 19-7/16" (494 mm)
Depth: 15-11/16" (398 mm)
Weight: 50 lbs (23 kg); Shipping Weight: 56 lbs (25 kg)
Supply Damper: Motorized; Exhaust Damper: Gravity

MOUNTING

Suspended by chains with vibration-isolating springs

RECOVERY CORE

Material: High-latent-transfer enthalpy

BLOWERS

Quantity: 2
Type: Motorized impellers (backward-inclined)

ELECTRICAL REQUIREMENTS

120 VAC, 60 Hz, 1.8 A, 216 W
Cord Set: 48" (1219 mm) with ground

CONTROLS

Low voltage (24VAC) for:

- LCD Electronic Multifunction Control (P/N 611227)
- Digital Multifunction Control (P/N 611242)
- Mode Control (Recirculation) (P/N 611230)
- Humidity Control (P/N 611224)
- Speed Control (Low/Intermittent/High) (P/N 611229)
20/40/60 Minute Timer (P/N 611228)

FROST CONTROL

- Automatic timed recirculation, fifth port
- Cycles controlled by a temperature sensor when outdoor temperature drops below 14°F (-10°C)

FILTERS

Quantity: 2
Type: Aluminum (P/N 612261)
Optional: Carbon (P/N 612262), MERV 6 (P/N 612408) or high-efficiency MERV 13 (P/N 612263)

WARRANTY

Core Assembly: Limited 2-year warranty
All Other Covered Components: Limited 5-year warranty

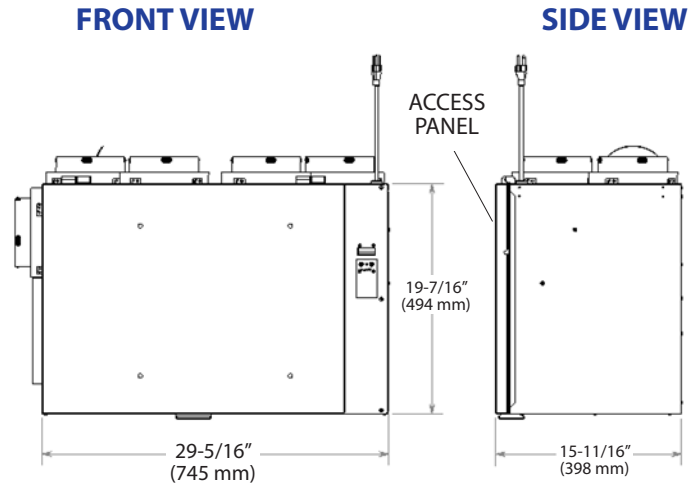
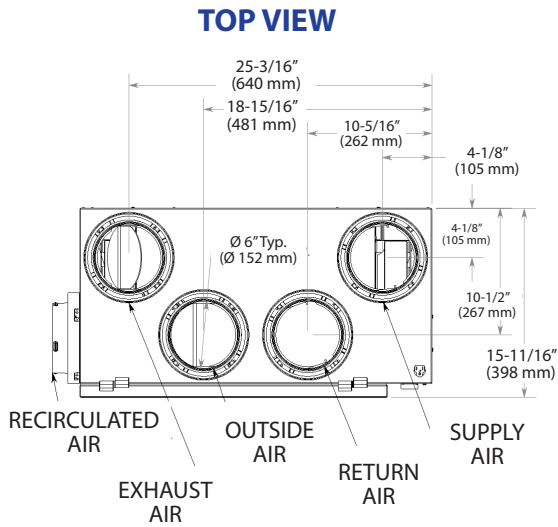
APPROVALS

Meets Standards:

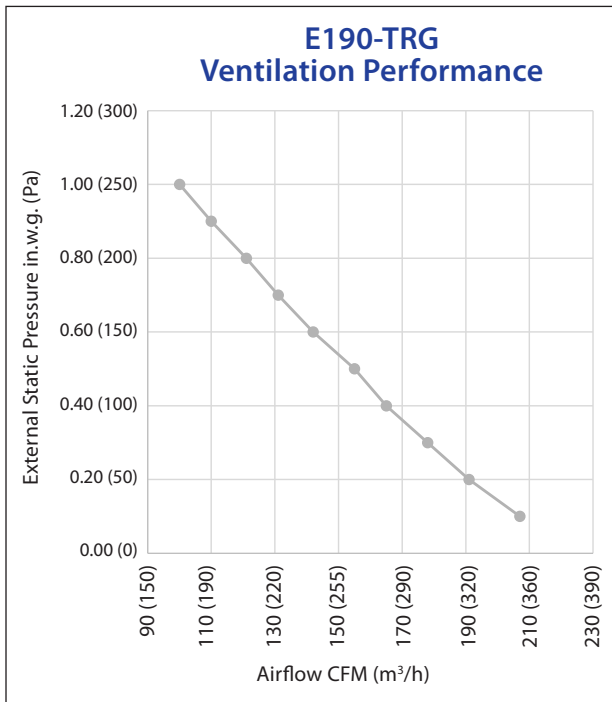
- C22.2 no113 and UL 1812
- ENERGY STAR® qualified (Canada)



Dimensions



Performance



Recovery Performance								
Outside Air Temperature	Net Airflow		Power Consumed (W)	Sensible Recovery Efficiency	Apparent Sensible Effectiveness	Latent Recovery/Moisture Transfer	Total Recovery Efficiency	
	°F	°C						
Heating								
32	0	51	24	52	76%	87%	0.69	--
32	0	81	38	62	72%	80%	0.66	--
32	0	119	56	106	67%	75%	0.60	--
-13	-25	74	35	89	60%	79%	0.63	--
Cooling								
95	35	81	38	62	--	--	0.55	56%



Project:		Architect:	
Location:		Engineer:	
Model #:		Contractor:	
Quantity:		Comments:	
Submitted By:			
Date:			

© 2017 American ALDES Ventilation Corporation. Reproduction or distribution, in whole or in part, of this document, in any form or by any means, without the express written consent of American ALDES Ventilation Corporation, is strictly prohibited. The information contained within this document is subject to change without prior written notice.