

ADVANCED, LOW-PROFILE,
AND INSPIRAIR COMMERCIAL
HRV/ERV



#HealthyLiving

COMMERCIAL HEAT & ENERGY RECOVERY

500-11000 CFM



COMMERCIAL HRV/ERV

building air quality

What do you consider when selecting a Heat or Energy Recovery Ventilator for a commercial project? Cost, code compliance, performance, size, airflow, custom options, compatibility with other HVAC equipment, production time, installation cost, maintenance, warranty, equipment life expectancy, return on investment, or all of the above? What about the fundamental concerns: Will this product do what the manufacturer claims? Will the building occupants benefit from increased comfort and improved indoor air quality? Is it a good investment?

Aldes knows that HRV/ERV decisions are never taken lightly. That's why we manufacture our Commercial HRV/ERVs with the features you need, the performance you expect, and the superior build quality you deserve. We offer all available types of air-to-air heat exchangers in a variety of price points and configurations. Every job is custom built to your exact design parameters. We want it to be painless to specify an Aldes unit. We want you to be confident in your choice – from the moment you make the selection to years after installation. Aldes has more than 30 years of experience providing the finest ventilation solutions in North America. Your business is our pleasure. Your satisfaction is our priority.

WHY CHOOSE A COMMERCIAL HRV/ERV



COMMERCIAL RANGES

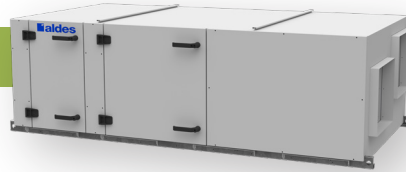
Advanced Commercial Series

the customized solution



Low-Profile Commercial Series

the space-saving solution



InspirAIR® Commercial Series

the turnkey solution



Nominal Capacity	500-4000 CFM	500-3500 CFM	1000-11000 CFM
Interior Models	X	X	X
Exterior Models	X	X	X
Aluminum Core	X	X	X
Polypropylene Core	X	X	X
Enthalpic Core	X	X	X
Desiccant Wheel	X		X
Fan Exhaust Defrost	X	X	X
Recirculation Defrost	X	X	X
Pre-Heat Coils (Electric & Hot Water)	X	X	X
Face & Bypass Damper	X		X
Wheel Speed VFD	X		X
Electric Post-Heating Coils	X	X	X
Hot Water Post-Heating Coils	X	X	X
Cold Water Cooling Coils			X
DX Cooling Coils			X

ALDES SELECTOR™ SOFTWARE



Selector™ puts you in the designer’s seat and ensures a better finished product

- Select models based on your exact design conditions and parameters
- Compare similar Commercial Series units for the best fit
- Receive detailed submittals for your unit
- Generate project schedules to indicate critical performance data
- Share designs and import projects directly into the software
- Streamline your workflow

Selector™ is available by request. Contact your ALDES sales advisor.



TYPICAL APPLICATIONS



- Offices • Hotels • Hospitals • Schools • Shopping Centers
 Restaurants • Casinos • Dormitories • Auditoriums • Pools & Spas
 Warehouses • Animal Care Facilities • Laboratories • Manufacturing Plants
 Retirement Homes • Day Care Centers • Correctional Facilities
 Religious Spaces • Theatres • Health Clubs

Reading the Model Code

Example C H 2000 i

SERIES
Advanced Commercial (C)

RECOVERY TYPE
Sensible Only - Plate (H)
Sensible & Latent - Plate (E)
Sensible & Latent - Wheel (W)

APPLICATION
Interior Unit (i)
Exterior Unit (e)

NOMINAL CAPACITY*
1000-2500 CFM (2000)
2000-3500 CFM (3000)
3500-5500 CFM (5000)
5500-7000 CFM (6500)
7000-8500 CFM (8000)
8500-10500 CFM (10000)

MODELS		
CH2000i/e	CE2000i/e	CW2000i/e
CH3000i/e	CE3000i/e	CW3000i/e
CH5000i/e	CE5000i/e	CW5000i/e
CH6500i/e	CE6500i/e	CW6500i/e
CH8000i/e	CE8000i/e	CW8000i/e
CH10000i/e	CE10000i/e	CW10000i/e

**Wheel capacities vary slightly.
Please see spec sheets for CFM ranges.*

Interior Model

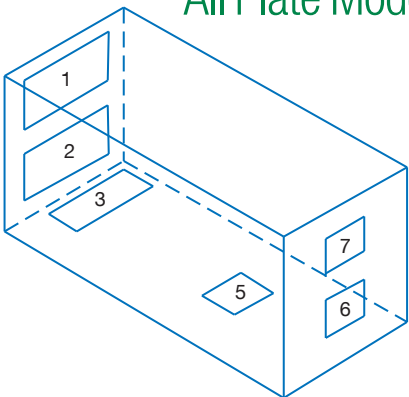


Exterior Model



Duct Configurations

All Plate Models



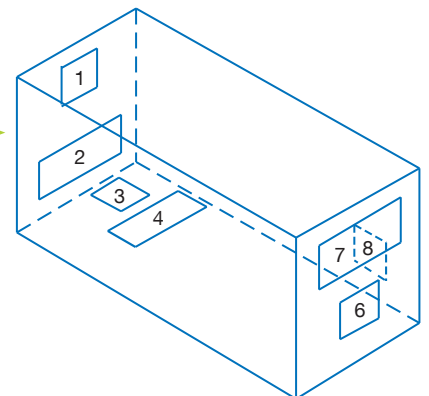
AVAILABLE DUCT CONFIGURATIONS*
1 - 2 - 6 - 7
1 - 3 - 5 - 7
1 - 3 - 6 - 7
1 - 2 - 5 - 7

DUCT CONNECTION KEY	
1	OUTDOOR AIR
2, 3	RETURN AIR
5, 6	SUPPLY AIR
7	EXHAUST AIR

AVAILABLE DUCT CONFIGURATIONS*
3 - 4 - 7 - 8
3 - 4 - 6 - 7**
1 - 2 - 7 - 8
1 - 2 - 6 - 7**

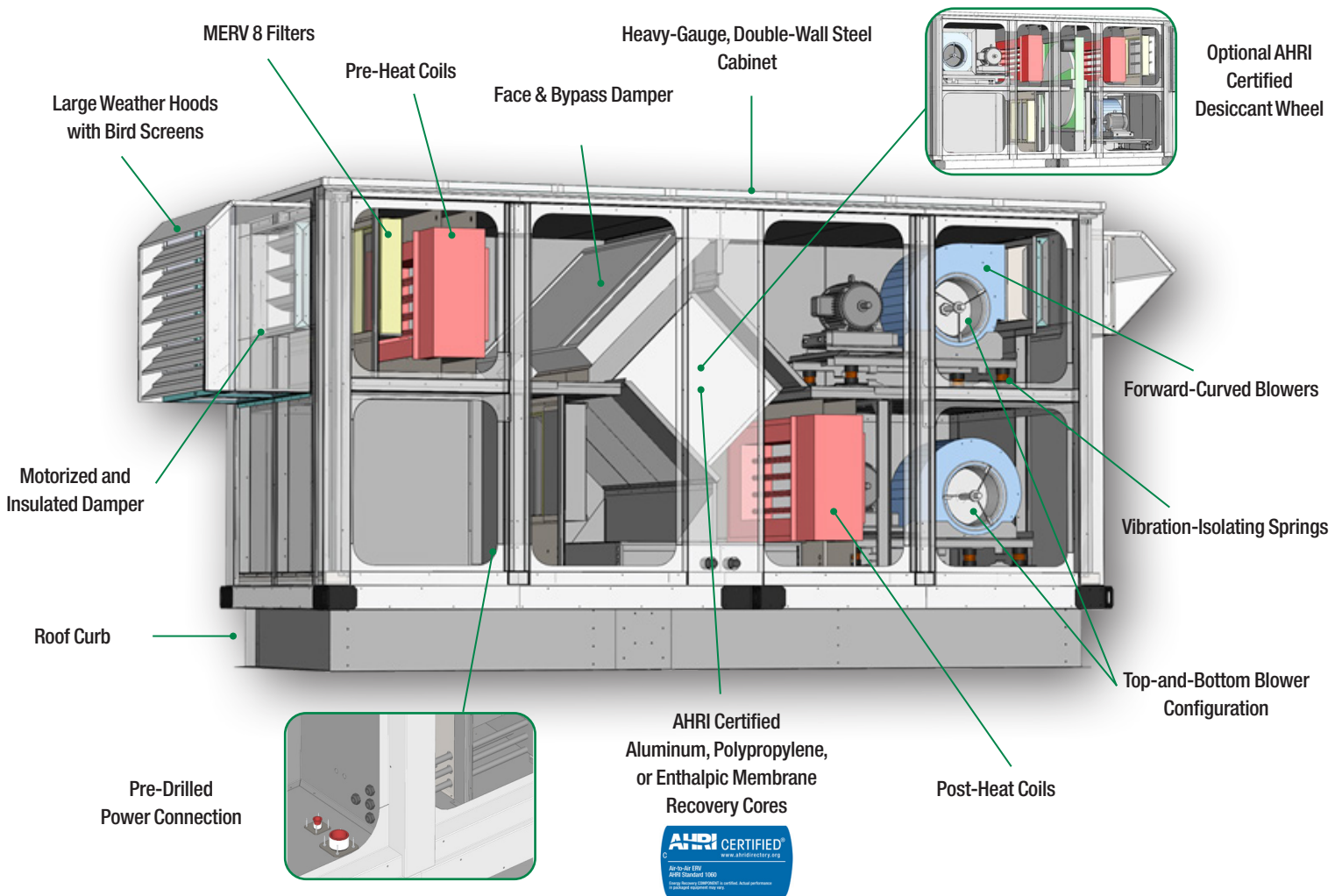
DUCT CONNECTION KEY	
1, 3	SUPPLY AIR
2, 4	RETURN AIR
6, 8	EXHAUST AIR
7	OUTSIDE AIR

All Wheel Models



* Mirror image cabinet also available
** Configuration not available for exterior models

KEY FEATURES



Additional Features

- Automotive-Quality Door Seal
- Single-Point Power Connection
- No-Screw-Through Design
- Thermal Bridging Breaks
- Insulation Value of R-10
- Conduit-Sleeved Cable Protection
- Multiple Duct Configurations
- EPAct or Premium Efficiency Motors
- Adjustable Speed Motors
- Pre-Wired Control Panel with Separated High and Low Voltages
- Front or Back Piping Connections
- Baked Enamel Exterior Finish
- Non-Fused Disconnect
- ETL Listed

Optional Features

- "Pool Construction Package" (stainless steel interior, epoxy-coated blowers, totally enclosed motors)
- Heavy-Gauge Steel Roof Curb (optional insulation)
- Fan Exhaust Defrost, Recirculation, Pre-Heat Coils (Electric or Hot Water), Face and Bypass Damper, and Wheel Speed VFD*
- Electric or Hot Water Post-Heat Coils
- Cold Water or DX Cooling Coils
- MERV 13 Final Filters
- Backward-Inclined Blowers
- Mirror Image Cabinet
- Motorized and Insulated Dampers for Exhaust and Outdoor Air Openings
- Fused Disconnect
- Non-Insulated Backdraft Damper
- Mechanical Purge*
- Low Temperature Limit
- Economizer Cycle
- Dirty Filters Contact
- Low Airflow Switch
- Phase Loss Detection
- Wheel Rotation Detection*
- Damper End Switch
- Programmable Timer
- CO₂ and/or Relative Humidity Sensor
- BACnet Compatible Controller (IP or MS/TP communications protocol)
- Remote Keypad (optional touchscreen)

*Wheel models only

Reading the Model Code

Example L H 2000 i

SERIES
Low-Profile Commercial (L)

RECOVERY TYPE
Sensible Only - Plate (H)
Sensible & Latent - Plate (E)

NOMINAL CAPACITY*
1000-2500 CFM (2000)
2000-3500 CFM (3000)

APPLICATION
Interior Unit (i)
Exterior Unit (e)

MODELS	
LH2000i	LE2000i
LH2000e	LE2000e
LH3000i	LE3000i
LH3000e	LE3000e

Interior Model

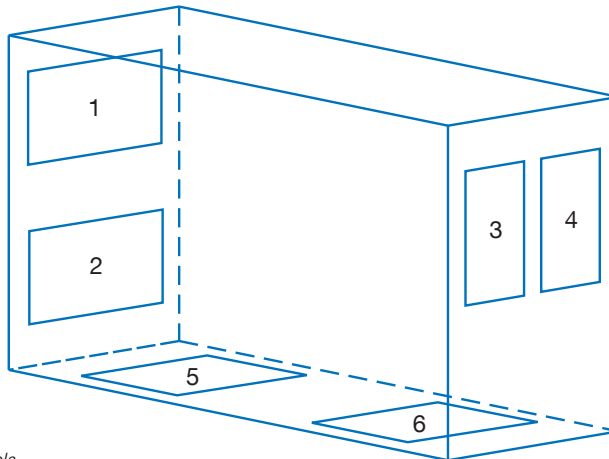
Exterior Model



Duct Configurations

All Plate Models

AVAILABLE DUCT CONFIGURATIONS*
1 - 2 - 3 - 4**
1 - 2 - 3 - 6**
1 - 3 - 4 - 5
1 - 3 - 5 - 6

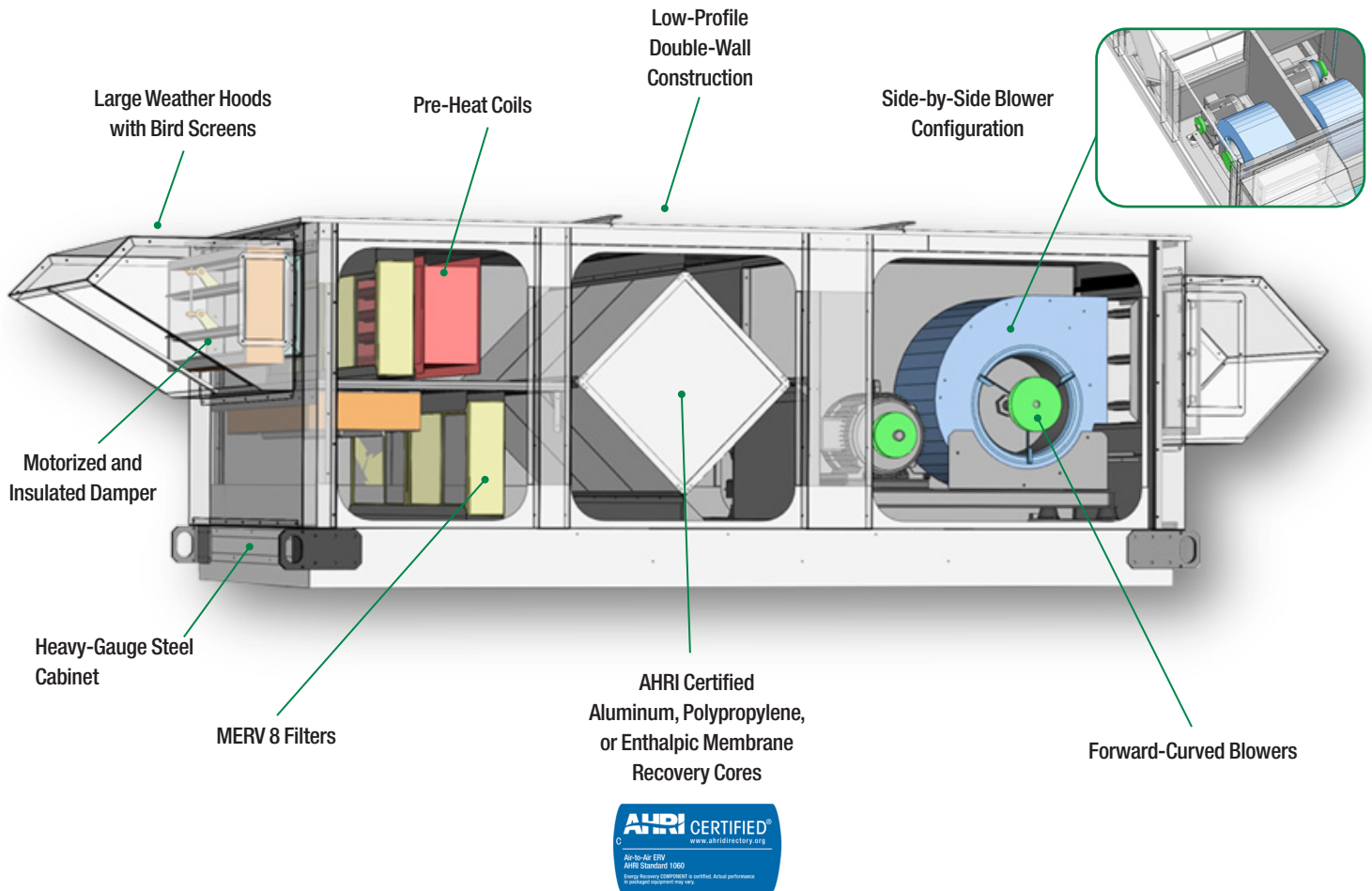


DUCT CONNECTION KEY	
1	OUTSIDE AIR
2, 5	RETURN AIR
3	EXHAUST AIR
4, 6	SUPPLY AIR

* Mirror image cabinet also available

** Configuration not available for exterior models

KEY FEATURES



Additional Features

- Automotive-Quality Door Seal
- Single-Point Power Connection
- No-Screw-Through Design
- Insulation Value of R-4.3 (interior units) and R-8.6 (exterior units)
- Conduit-Sleeved Cable Protection
- Multiple Duct Configurations
- Non-Fused Disconnect
- EPAct or Premium Efficiency Motors
- Adjustable Speed Motors
- Pre-Wired Control Panel with Separated High and Low Voltages
- ETL Listed

Optional Features

- Baked Enamel Exterior Finish
- "Pool Construction Package" (stainless steel interior, epoxy-coated blowers, totally enclosed motors)
- Heavy-Gauge Steel Roof Curb (optional insulation)
- Fan Exhaust Defrost, Recirculation, Pre-Heat Coils (Electric or Hot Water)
- Electric or Hot Water Post-Heat Coils
- MERV 13 Filters
- Fused Disconnect
- Mirror Image Cabinet
- Motorized and Insulated Dampers for Exhaust and Outdoor Air Openings
- Non-Insulated Backdraft Damper

- Low Temperature Limit
- Dirty Filters Contact
- Low Airflow Switch
- Phase Loss Detection
- Damper End Switch
- Programmable Timer
- BACnet Compatible Controller (IP or MS/TP communications protocol)
- Remote Keypad (optional touchscreen)



Reading the Model Code

Example P E 15

SERIES

InspirAIR® Commercial

RECOVERY TYPE

Sensible & Latent - HLT Plate (E)
 Sensible & Latent - Wheel (W)
 Sensible Only - Aluminum Plate (A)
 Sensible Only - Polypropylene Plate (H)

NOMINAL CAPACITY

500-1000 CFM (15)
 800-2000 CFM (20)
 1000-3000 CFM (30)
 2000-4000 CFM (40)

MODELS

PA15	PA20	PA30	PA40
PE15	PE20	PE30	PE40
PH15	PH20	PH30	PH40 </td
PW15	PW20	PW30	PW40

Interior Model



Exterior Model



Duct Configurations

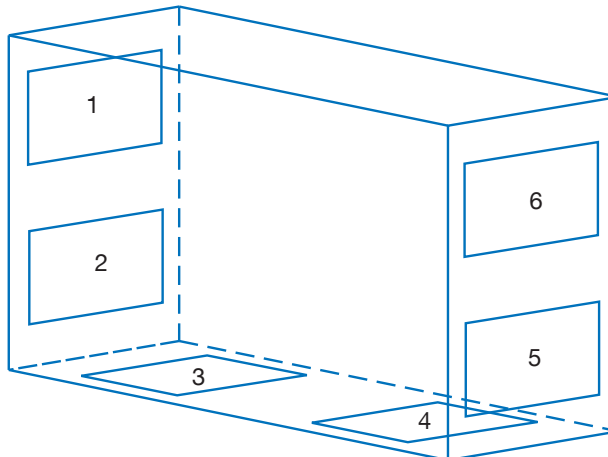
AVAILABLE DUCT CONFIGURATIONS*

1 - 2 - 5 - 6

1 - 3 - 4 - 6**

* Mirror image cabinet also available

** Available on exterior units only



DUCT CONNECTION KEY

1	EXHAUST AIR
2, 3	SUPPLY AIR
4, 5	RETURN AIR
6	OUTSIDE AIR

KEY FEATURES

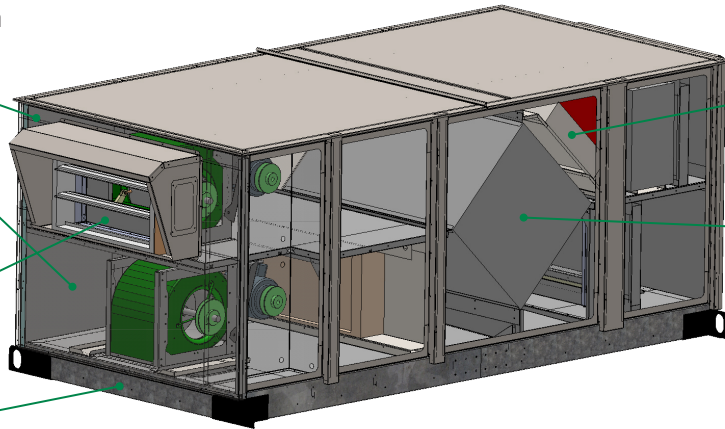
Top & Bottom Blower Configuration

AMCA-certified low-leakage dampers and optional weather hoods with bird screens

Robust double wall construction

MERV 8 or MERV 13 filters

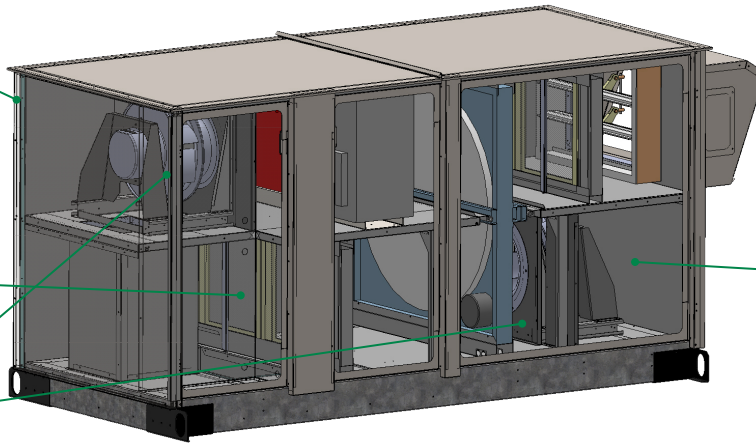
Efficient EC Motors



Bypass damper for free cooling

AHRI Certified heat recovery

Plate unit showing all the extensions - bypass, pre- and post heating and with AC motors.



All components easily accessible for maintenance

Additional Features

- Automotive-Quality Door Seal
- Single-Point Power Connection
- No-Screw-Through Design
- Insulation Value of R-4.3
- Conduit-Sleeved Cable Protection
- Four Duct Configurations
- Non-Fused Disconnect
- ODP or TEFC Type Motors
- EPAct or Premium Efficiency Motors
- Adjustable Speed Motors
- Pre-Wired Control Panel with Separated High and Low Voltages
- ETL Listed

Optional Features

- Baked Enamel Exterior Finish
- Heavy-Gauge Steel Roof Curb (optional insulation)
- Fan Exhaust Defrost, Recirculation Defrost, Electric or Hot Water Pre-Heat Coils, Wheel Speed Defrost
- EC Motors
- Electric or Hot Water Post-Heat Coils
- MERV 13 Supply Filters
- Fused Disconnect
- Mirror Image Cabinet
- Motorized and Insulated Dampers for Exhaust and Outdoor Air Openings
- Non-Insulated Backdraft Damper
- Additional 24 VAC, 20 VA power connection for accessories
- Internal bypass for free cooling

- Low Temperature Limit
- Dirty Filters Contact
- Low Airflow Switch
- Phase Loss Detection
- Damper End Switch
- Programmable Timer
- BACnet Compatible Controller (IP or MS/TP communications protocol)
- Remote Keypad (optional touchscreen)
- Wheel Rotation Detection



For more information, contact your Aldes sales advisor,
visit aldes-na.com, call 1.800.255.7749, or find us on

